

TERAFLEX

INSTALLATION GUIDE

Installation Guide for the Disc Brake Kit (DBKJ, DBKF)



This kit includes-

- 2- Rear rotors
- 1- LH rear caliper
- 1- RH rear caliper
- 2- Brake pad kit (LH & RH)
- 2- Preload spacers
- 4- Bolt caliper

- 8- Retaining Bolts
- 8- Nuts
- 1- Plate Assembly L
- 1- Plate Assembly R
- 1- Flexible brake line kit (DBKJ only)

NOTE: Some aftermarket wheels require a longer wheel stud to compensate for the thickness of the new disc brake rotor. These longer studs are available from any NAPA Auto Parts store using Balkamp Number 641-3204. *It is the responsibility of the installer to ensure that the studs are long enough for use with non-stock wheels or to change to the longer wheel studs.*

Tera Manufacturing, Inc.
5251 South Commerce Dr.
Murray, Utah 84107
Phone/801.288.2585
Fax/801.713.2313
www.teraflex.biz

Think safety first when installing your new disc brake kit. The TeraFlex disc brake kit you purchased is designed either as a Jeep rear disc brake upgrade kit or as a new disc brake kit for 'big Ford' housing ends.

A flexible brake line kit is available separately for the Ford housing ends (part #DBKHK), an emergency brake solution is also required. For TJ Wranglers order part #TL869.

Disassembly

1. With the vehicle on the ground disconnect the emergency brake cables from the brake cable bracket attached to the underside of the body tub.
2. Raise the vehicle off the ground and support the vehicle on jack stands. Remove the tires from the vehicle.
3. Remove the brake drums from the brake assembly.
4. Unhook the hard brake line from

the wheel cylinder attached to the backing plate.



5. C-clip axle removal- Remove the differential cover, unbolt the cross shaft and remove it from the carrier. Remove the c-clips. Pull the axle shafts from the vehicle.

Note: For additional information refer to the factory service manual.

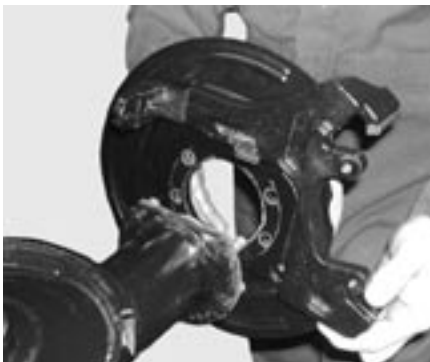
6. Other semi-float applications. Remove the four nuts that hold each axle shaft into the axle and remove the axle shafts from the axle. Some leakage may be possible from the axle tubes.
7. Remove the backing plate from the axle housing.
8. Wipe the bearing pocket surface clean of grease and contaminants.
9. For semi-float applications- Press the old bearings and seals from



the axle shafts. C-clip applications do NOT need to remove the old bearings and seals.

Installation

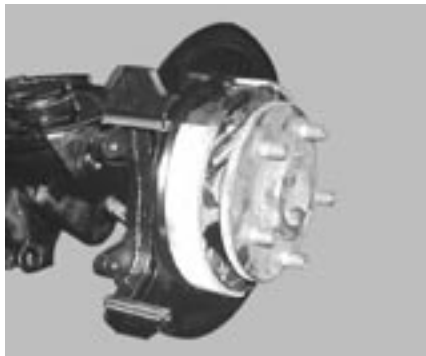
10. Disc Brake Mounting Plate. Install the disc brake mounting plate onto the axle flange with new supplied retaining bolts (C-clip applications re-use the factory bolts) The mounting plates are identified as left and right side.



11. Properly adjust the internal drum parking brake shoes, to do this adjust the internal parking brake shoes with the adjuster until there is just enough room to slide the rotor over the shoes.



12. Retainer Plate and Preload Spacers. If your application uses a retaining plate to hold the axle shafts in place (non-clip applications), install the retaining plate and new preload spacer on axle shaft.
13. Grease the shaft where the axle shaft seal will be installed, then install the seal. Repeat for other side.
14. Press the new bearing and retaining collar onto the axle shaft.
15. On C-clip retained axles, slide the axles all the way into the axle housing using care to avoid damage to the splines or the bearing surface. Reinstall the C-clip and the cross shaft. Ensure that all old silicone is cleaned from the differential housing and the differential cover, and reinstall the differential cover using a new gasket or silicone. Fill the housing with new oil. C-clip applications go to step 20.



16. On applications using a retaining

- plate, slide the axle shafts 3/4 of the way into the axle housing.
17. Apply grease to the outside of the bearing seal assembly and slide the preload spacer onto the seal. The grease will help hold the spacer in place.
18. Slide the axle shaft the rest of the way into the axle housing. Be careful to line it up with the differential. Push the axle in by hand. Do not force it in. Damage to the splines or wheel bearing and seal may result if forced.
19. Install and tighten the nuts onto the retainer bolts through the access holes of the axle shafts.
20. Install the brake rotor.



21. Install the brake pads inside the brake caliper. Note: Install the inside pad first. Using the two supplied 8mm bolts install the caliper onto the mounting plate. Torque bolts to 11 ft. lbs.



22. Install the new flex brake hoses (supplied in the DBKJ kit) using new copper washers on the supplied banjo bolt. Install one copper washer onto the banjo bolt then slide the female end of the brake line end onto the banjo bolt.

23. Install the second copper washer onto the banjo bolt. Install the banjo bolt onto the caliper.
24. Weld the brake line mounting tab onto the axle tube. Then install the brake line through the tab and install the c-clip.
25. Connect the hard brake line to the soft brake lines, and bleed the brakes. Start with the passenger side first, then proceed to the driver's side. Note: You will need to purchase shorter metal brake

- lines from an automotive parts supplier.
26. Install the emergency brake cable onto the lever at the mounting plate. (97-current TJ Wranglers order Tera part #TL869 for proper cables.) Repeat for other side.
27. Replace tires on vehicle and tighten lug nuts to 110 ft. lbs. Remove vehicle from jack stands and set vehicle on ground.
28. Attach the emergency brake cable to the emergency brake cable

- bracket on the underside of the body.
29. Adjust the parking/emergency brake until the brake will hold the vehicle from moving when in gear.



Disc Brake Axle Flange Diagram

